



- [1. Revision History](#)
- [2. Purpose](#)
- [3. Data Matrix Specification](#)
- [4. Data Matrix Magnified View](#)
- [5. Traceability Data Matrix Information](#)
- [6. Traceability Data Matrix Location](#)
- [7. Additional Information](#)

## 1. Revision History

Revision	Date	Description
0	June 30, 2022	Initial Release

## 2. Purpose

Chief is including enhanced traceability for all BRIC Covers. This document describes the BRIC Cover Traceability Data Matrix Specifications implemented on all covers being manufactured on any Automated Assembly Line

## 3. Data Matrix Specification

Characters	76 MAX
Format	Data Matrix ECC 200
Symbol Size	16 x 48
Cell Size	0.21 x 2.10 mm
DM Height & Width	3.36 mm x 10.08

## 4. Data Matrix Magnified View



## 5. Traceability Data Matrix Information

Data string contains the following data, not necessarily in the order shown, separated by a comma or tab character [ASCII 9]

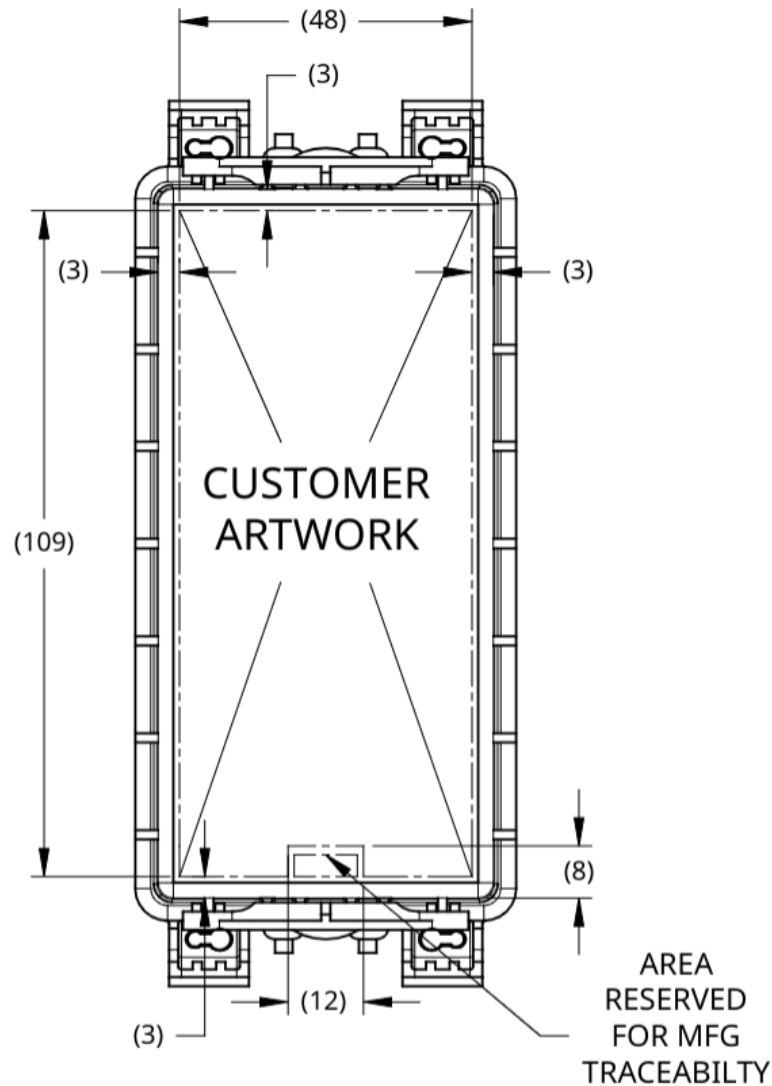
t=[time]	<i>Mandatory in HH:MM:SS 24 hour format</i>
d=[date]	<i>Mandatory in YYYY/MM/DD format</i>
w=[work order]	<i>Optional</i>
s=[serial number]	<i>Optional</i>

Example text string

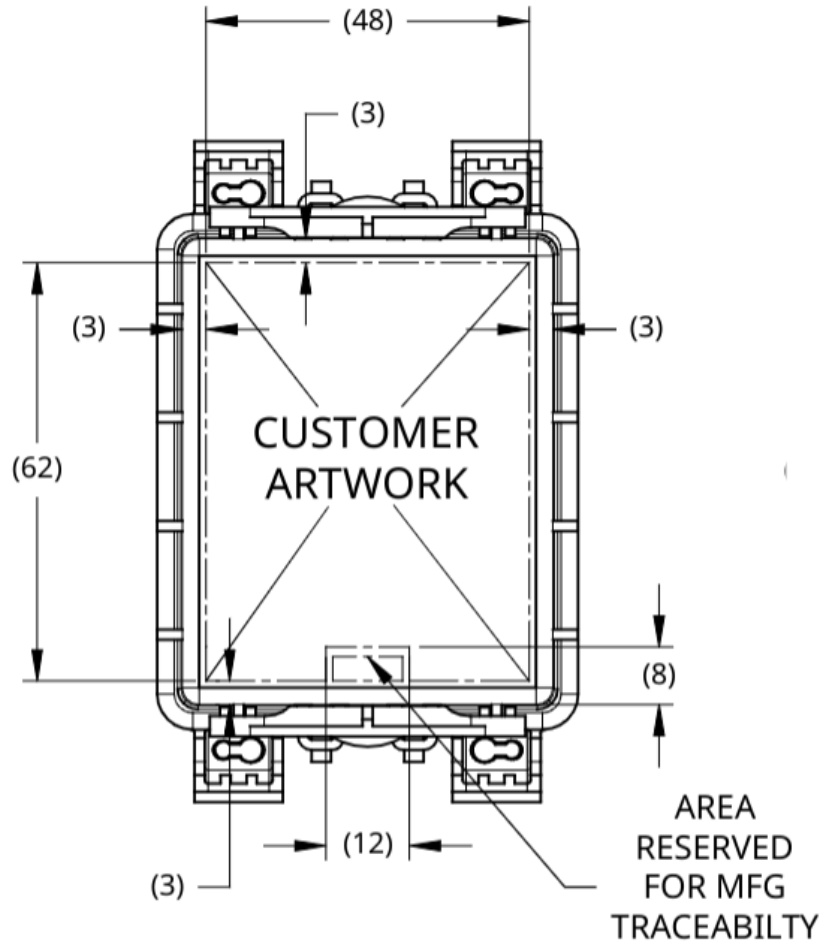
t=16:05:22,d=2022/06/30,w=w-83624,s=abcde12345

## 6. Traceability Data Matrix Location

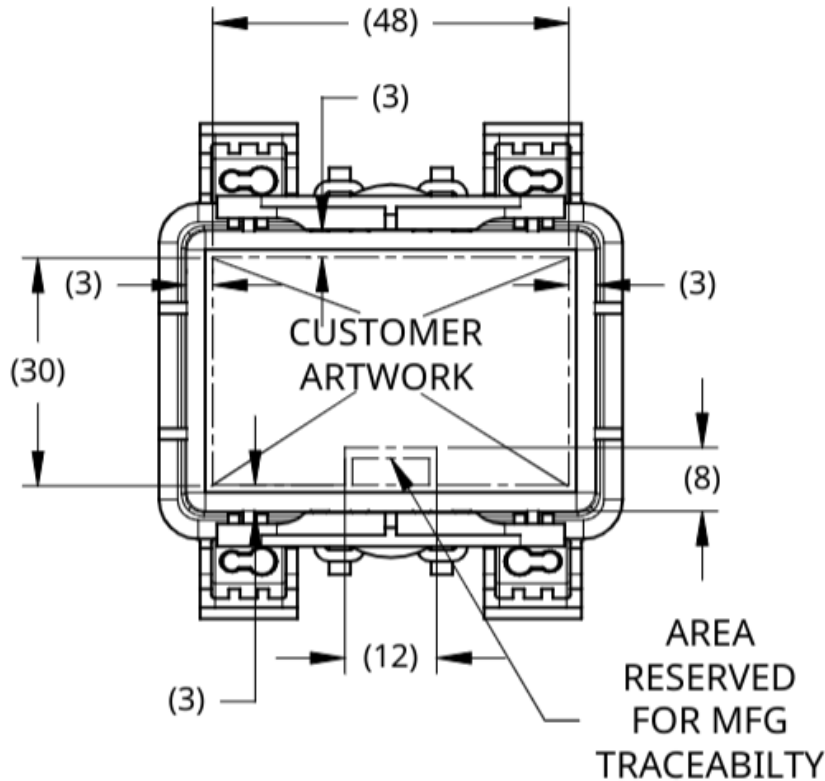
- Large Size BRIC Cover Traceability Data Matrix location:



- MediumSize BRIC Cover Traceability Data Matrix location:



- Small BRIC Cover Traceability Data Matrix location:



## 7. Additional Information

Chief reserves the right to further enhance or modify the traceability data matrix as needed to ensure efficient production control.